



EverPro Technologies Company Ltd.

长芯盛 (武汉) 科技有限公司



Pure Fiber DVI Active Optical Cable

EPDVIC01

Rev. 1.0



EverPro Technologies Company Ltd.



Contents

1	DESCRIPTION	3
2	FEATURE.....	3
3	SPECIFICATION	4
4	PART NUMBER	5
5	APPLICATION.....	6
6	CABLE DIMENSION.....	7
7	FIBER SPECIFICATION	8
8	EDID PROGRAMMING USER GUIDE.....	9



1 Description

EverPro's EPDVIC01 product is a pure fiber DVI active optical cable (AOC) with high performance, low power consumption and low cost. Using optical fiber to replace copper wire as the high-speed signal transmission medium, EPDVIC01 can perfectly transmit HD image over 300 meters. Compared with the traditional copper wire, EPDVIC01 AOC is much longer, softer, more slim, with better signal quality and perfect EMI/EMC feature. Compared with other HDMI optical fiber transmission solution, EPDVIC01 AOC is easy to use, and no external power supply needed.

2 Feature

- 1) Long distance transmission, over 300 meters
- 2) Single channel DVI interface, support up to 10.2Gbps bandwidth
- 3) Program and store monitor's EDID information inside of source connector
- 4) No external power needed
- 5) Thinner, lighter and softer than conventional copper cable
- 6) No radiation, and highly resistant with EMI



3 Specification

Cable Length

Customized, Up to over 300m

Interface

DVI-D plug – DVI-D plug

Bandwidth

Up to 10.2Gbps

Power

No external power needed

Power Consumption

250mW

Mechanical / Condition

Cable diameter	3.0mm
Bend Radius (Dynamic/Static)	80mm/40mm
Tensile Strength (Long term/Short term)	100N/200N
Crush Resistance (Long term/Short term)	200N/400N
Operating and Storage Temp	-20 - 70°C



4 Part Number

Part Number	Description
EPDVIC01-A0A0KxxxPG	DVI AOC ,Standard DVI-D male to male ,xxx meter ,Black, Plastic housing

- i. All of standard cables have no logo. NRE is need if adding customized logo.
- ii. Cable length can be customized.



5 Application

- 1) Home Theater
- 2) High definition Video Meeting System
- 3) Medical Video System
- 4) High definition Video Surveillance System
- 5) Digital Signage and TV Wall

Home Theater



HD video conference



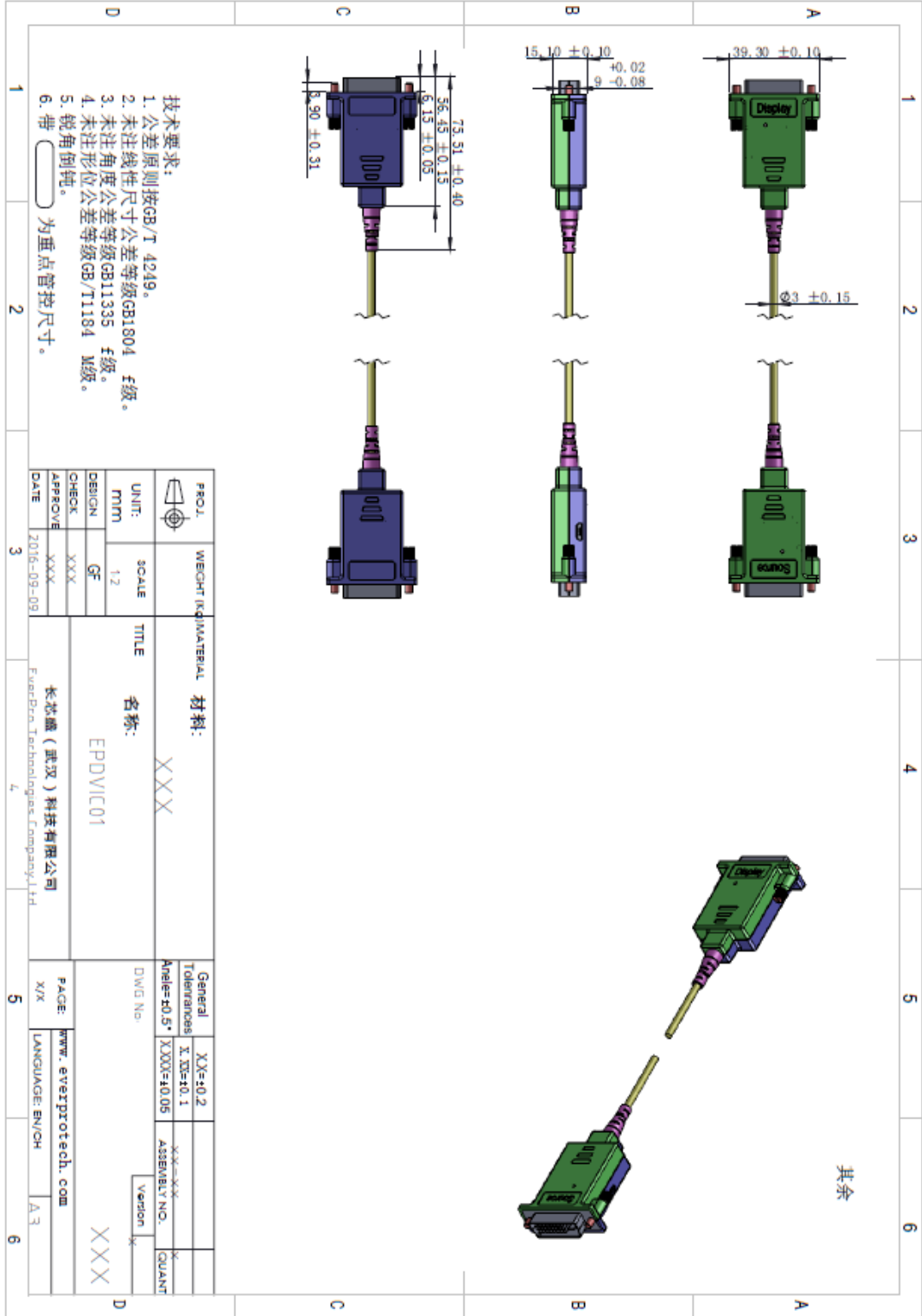
Outdoor large screen display system



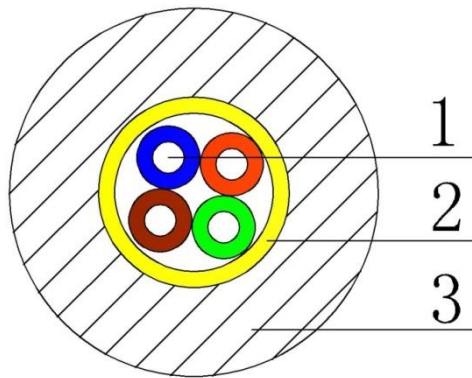
Medical,military image system



6 Cable Dimension



7 Fiber Specification



1. Buffer Fibers 2. Kevlar 3. Outer Sheath

Item	Contents	Value	Supplement
1	Buffer Fibers	A1a,A1b or other types	4 cores (Blue、 Orange、 Green、 Brown)
2	Kevlar	Strength Member	6*1610dtex or other types
3	Outer Jacket	Black TPU	OD: 2.85±0.15mm



8 EDID Programming User Guide

In order to implement long distance transmission, EDID is designed to be programmed inside of cable. Please follow these steps to program EDID:

1. Copy and program EDID

Power on the “Source” connector using Micro USB cable, and the LED turns Green. Plug “Source” connector in monitor’s DVI interface. Wait for 2~3 seconds, the LED turns Red. That means the EDID of target monitor has been copied and programed into the cable. During this process, the “Display” connector can be left unconnected.



2. Normal connect and use

Plug the “Source” connector in the PC and the “Display” connector in the monitor. The LED turns Blue. That mean the cable is correctly connected. If the monitor cannot be lighted, please try to give external power to the “Display” connector through Micro USB cable.

